

Official Statistics
Game One
Laurel County vs Sheldon Clark

30th Anniversary

FARNHAM DUDGEON CIVIC CENTER • FRANKFORT, KENTUCKY • MARCH 20-23, 1991 • \$2.00

OFFICIAL NCAA BASKETBALL BOX SCORE: *** FINAL ***

Date: 03-20-91 Site: Frankfort, Ky.

VISITORS (Last Name, First)

NO.	SHELDON CLARK	Tot FG		3-POINT		FT	FTA	Rebounds			PF	TP			A	TO	BLK	S	TIME	
		FG	FGA	FG	FGA			OFF	DEF	TOT										
13	Preece, Katina	0	2	0	0	0	0	0	2	2	5	0			7	2	1	1	21:19	
30	Bowen, Ida	7	10	0	0	5	9	3	11	14	3	19			1	2	3	1	35:00	
24	Bailey, Angela	6	9	0	0	0	2	1	6	7	2	12			0	2	2	2	35:00	
15	Slone, Linda	0	3	0	0	0	0	0	1	1	3	0			2	9	0	0	35:00	
20	Kirk, Jennie	4	7	1	3	0	0	1	1	2	1	9			4	9	0	0	35:00	
23	Horn, Cyndi	1	2	0	0	0	1	2	2	4	3	2			0	1	0	0	13:41	
TEAM REBOUNDS (INCLUDED IN TOTALS)								2			2									
TOTALS		18	33	1	3	5	12	7	25	32	17	42			14	25	6	4	175	

TOTAL FG 1st HALF 4/9 44.4% 2nd HALF 14/24 58.3% GAME 18/33 54.5% DEADBALL
 3-POINT FG 1st HALF 0/2 0.0% 2nd HALF 1/1 100.0% GAME 1/3 33.3% REBOUNDS 4
 FREE THROWS 1st HALF 0/1 0.0% 2nd HALF 5/11 45.5% GAME 5/12 41.7%

HOME (Last Name, First)

NO.	LAUREL COUNTY	Tot FG		3-POINT		FT	FTA	Rebounds			PF	TP			A	TO	BLK	S	TIME	
		FG	FGA	FG	FGA			OFF	DEF	TOT										
25	Minor, Dee	3	11	1	4	0	2	2	2	4	1	7			1	0	0	2	34:24	
32	Isaacs, Julie	4	7	0	0	0	0	4	2	6	3	8			1	3	1	1	35:00	
34	Steele, Joy	2	6	0	0	0	0	0	0	0	4	4			1	1	0	0	10:44	
04	Reed, Stacy	2	18	1	9	15	18	0	3	3	3	20			1	2	0	7	34:27	
22	Goforth, Steph.	1	2	0	0	1	2	1	3	4	1	3			1	0	0	2	26:23	
12	Collett, Steph.	2	3	0	0	0	0	0	1	1	2	4			1	2	0	2	22:28	
44	Tate, Melissa	0	2	0	0	0	2	1	0	1	1	0			1	0	0	1	10:57	
23	Walker, Tiffany	0	0	0	0	0	0	0	0	0	0	0			0	0	0	0	0:37	
TEAM REBOUNDS (INCLUDED IN TOTALS)								4			1		5							
TOTALS		14	49	2	13	16	24	12	12	24	15	46			7	8	1	15	175	

TOTAL FG 1st HALF 5/13 38.5% 2nd HALF 9/36 25.0% GAME 14/49 28.6% DEADBALL
 3-POINT FG 1st HALF 0/1 0.0% 2nd HALF 2/12 16.7% GAME 2/13 15.4% REBOUNDS 5
 FREE THROWS 1st HALF 5/6 83.3% 2nd HALF 11/18 61.1% GAME 16/24 66.7%

OFFICIALS: Cathy Stovall, Jay Asher, M. Allen-Alt.
 Technicals: None

SCORE BY PERIODS

SHELDON CLARK	8	8	17	6	3	= 42
LAUREL COUNTY	15	6	4	14	7	= 46

Attendance: 4,475

COMMENTS: POINTS OFF TURNOVERS

SHELDON CLARK 7 LAUREL COUNTY

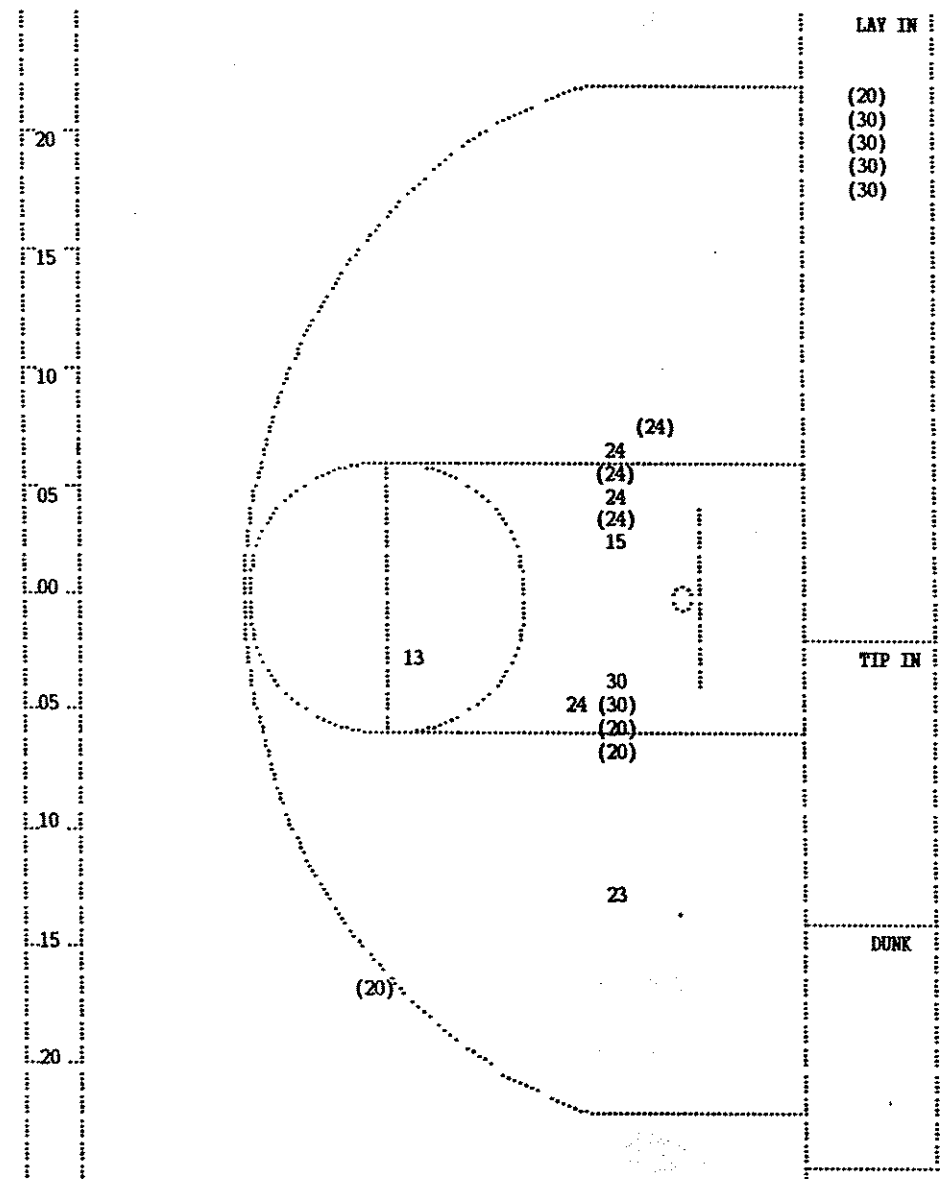
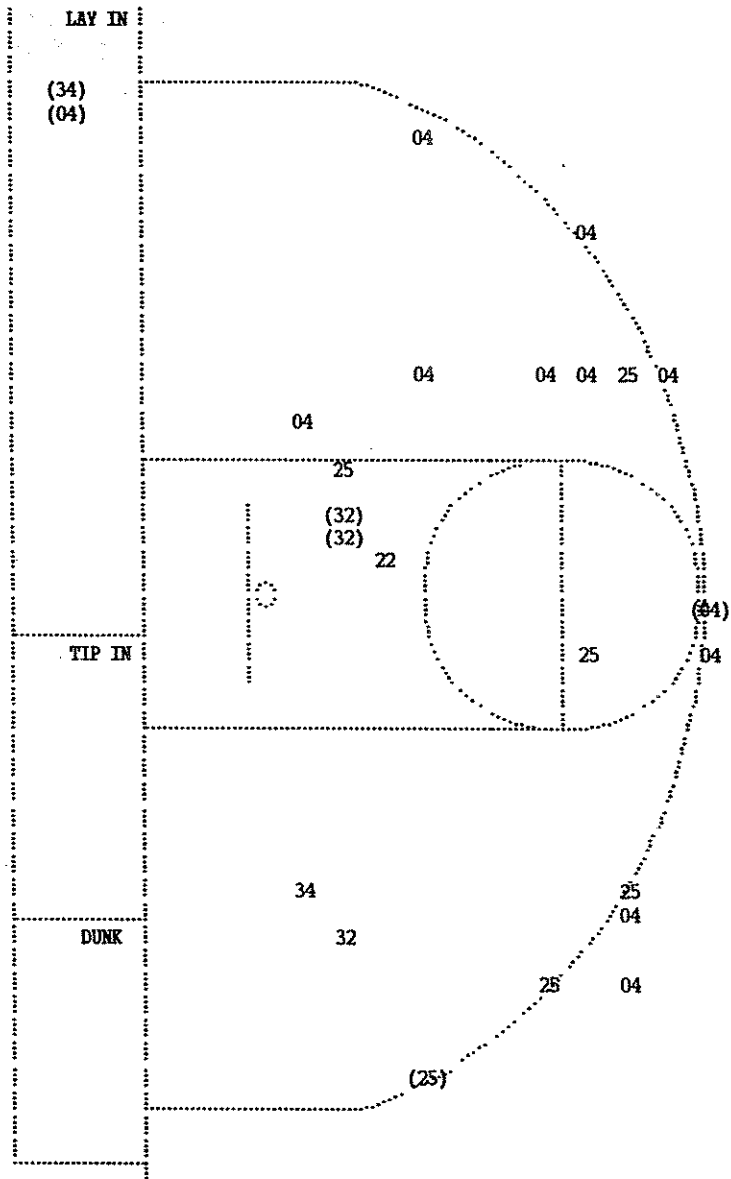
SECOND CHANCE POINTS

24 SHELDON CLARK 6 LAUREL COUNTY 7

Player				Team	LAUREL COUNTY				Time	Score	SHELDON CLARK				Player	Team
Reed, Stacy, Collett, Steph., Goforth, Steph., Isaacs, Julie, Minor, Dee																
0-1	00.0%	0-1	00.0%	12 ft Right Side Jump shot by Reed, Stacy, missed	5	2:46	Bailey, Angela, Bowen, Ida, Kirk, Jennie, Slone, Linda, Preece, Katina				1	1				
0-1	Tot-1	0-1	Tot-1	Rebound by Goforth, Steph.	5	2:35	Ball to Lady Cardinals									
					5	2:34	Traveling Violation on Slone, Linda									
					5	2:34	Foul on Preece, Katina				1	1				
					5	2:34	Sub In: Horn, Cyndi Out: Preece, Katina									
1-2	50.0%	1-2	50.0%	Goforth, Steph., 2 Free Throws missed 1st made 2nd	5	2:34 *40-39	6 ft Left Side Turnaround by Bailey, Angela, missed				0-1	00.0%	0-1	00.0%		
					5	2:20										
D-1	Tot-1	D-1	Tot-2	Rebound by Isaacs, Julie	5	2:19										
1-2	50.0%	1-2	50.0%	Driving Layup by Reed, Stacy, made	5	1:15 *42-39										
REB: 2 A: 0 BLK: 0 TO: 0 PF: 0					5	1:08	REB: 0 A: 0 BLK: 0 TO: 1 PF: 1									
S: 0 FT: 1-2 50.0% FG: 1-2 50.0%					T I M E - O U T SHELDON CLARK No. 1				S: 0 FT: 0-0 00.0% FG: 0-1 00.0%							
1	1	Steal by Collett, Steph.			5	1:07										
					5	:42.6	Bad Pass by Horn, Cyndi				1	2				
1	1	Traveling Violation on Collett, Steph.			5	:42.6										
					5	:38.9	Dribbling Error on Kirk, Jennie				1	3				
					5	:31.7	Foul on Horn, Cyndi				1	2				
2-2	100%	3-4	75.0%	Reed, Stacy, 2 Free Throws made both	5	:31.7 *44-39	4 ft Lane Driving by Slone, Linda, missed				0-1	00.0%	0-2	00.0%		
					5	:24.4										
					5	:23.8										
D-2	Tot-2	D-2	Tot-3	Block by Isaacs, Julie	5	:23.8										
				Rebound by Isaacs, Julie	5	:23.8	Steal by Bowen, Ida				1	1				
					5	:23.8										
1	2	Other Isaacs, Julie			5	:23.8	44-41* Driving Layup by Bowen, Ida, made				1-1	100%	1-3	33.3%		
					5	:23.8										
1	1	Foul on Isaacs, Julie			5	:23.7	44-42* Bowen, Ida, 1 Free Throw made				1-1	100%	1-1	100%		
					5	:17.1	Foul on Slone, Linda				1	3				
4-4	100%	5-6	83.3%	Reed, Stacy, 2 Free Throws made both	5	:17.1 *46-42	12 ft Right Side Jump shot by Horn, Cyndi, missed				0-1	00.0%	1-4	25.0%		
					5	:07.6										
D-1	Tot-2	D-3	Tot-4	Rebound by Goforth, Steph.	5	:05.2										
REB: 4 A: 0 BLK: 1 TO: 2 PF: 1					5	:05.2	REB: 0 A: 0 BLK: 0 TO: 3 PF: 3									
S: 1 FT: 5-6 83.3% FG: 1-2 50.0%					No. 1 LAUREL COUNTY T I M E - O U T				S: 1 FT: 1-1 100% FG: 1-4 25.0%							

Player	Team	LAUREL COUNTY	Time	Score	SHELDON CLARK	Player	Team	
Reed, Stacy, Collett, Steph., Goforth, Steph., Minor, Dee, Isaacs, Julie			Ball to Lady Cardinals					
1-1	100%	1-1 100%	4	7:45	*28-33	Slone, Linda, Preece, Katina, Kirk, Jennie, Bailey, Angela, Bowen, Ida		
1-1	100%	2-3 66.6%	4	7:15	*30-33			
REB: 2 A: 0 BLK: 0 TO: 0 PF: 0			4	7:07	REB: 0 A: 0 BLK: 0 TO: 0 PF: 0			
S: 0 FT: 0-0 00.0% FG: 2-3 66.6%			T I M E - O U T SHELDON CLARK No. 1				S: 0 FT: 0-0 00.0% FG: 0-1 00.0%	
			4	6:15	30-35* Follow Layup by Bowen, Ida	1-2	50.0% 1-3 33.3%	
			4	5:39	30-37* 6 ft Lane Bank by Kirk, Jennie	1-1	100% 2-4 50.0%	
			Assist by Bowen, Ida				1	1
			4	4:39	Bad Pass by Kirk, Jennie	1	1	
			4	4:37				
1-3	33.3%	3-8 37.5%	4	4:37	*33-37			
Sub In: Walker, Tiffany Out: Goforth, Steph.			3 pt 21 ft Left Side Jump shot by Minor, Dee					
			Assist by Collett, Steph.					
			Steal by Reed, Stacy					
			4	4:27				
			4	4:25	Dribbling Error on Bowen, Ida	1	2	
			4	4:06	Foul on Preece, Katina	1	1	
0-2	00.0%	0-2 00.0%	4	4:06				
Reed, Stacy, 2 Free Throws missed both			4	4:00	Over and Back Violation on Kirk, Jennie	2	3	
Sub In: Goforth, Steph. Out: Walker, Tiffany			4	4:00				
			4	3:49	Foul on Bowen, Ida	1	2	
2-4	50.0%	2-4 50.0%	4	3:49	*35-37			
Reed, Stacy, 2 Free Throws made both			4	3:38	35-39* 4 ft Lane Jump shot by Bailey, Angela	1-2	50.0% 3-5 60.0%	
			Assist by Preece, Katina					
			4	3:18	Dribbling Error on Slone, Linda	1	2	
			4	3:16		1	4	
			4	3:14	Foul on Preece, Katina	2	3	
4-6	66.6%	4-6 66.6%	4	3:14	*37-39			
Reed, Stacy, 2 Free Throws made both			4	3:05				
Steal by Reed, Stacy			4	3:03	Bad Pass by Slone, Linda	2	5	
			4	3:01				
			4	2:50	Dribbling Error on Slone, Linda	3	6	
			4	2:41	Foul on Slone, Linda	1	4	
6-8	75.0%	6-8 75.0%	4	2:41	*39-39			
Reed, Stacy, 2 Free Throws made both								
REB: 5 A: 1 BLK: 0 TO: 1 PF: 1			4	2:02	REB: 5 A: 2 BLK: 0 TO: 6 PF: 4			
S: 4 FT: 6-8 75.0% FG: 3-9 33.3%			No. 1 LAUREL COUNTY T I M E - O U T				S: 0 FT: 0-0 00.0% FG: 3-6 50.0%	
			4	1:49				
1		2	Foul on Reed, Stacy					
REB: 5 A: 1 BLK: 0 TO: 1 PF: 2			4	1:47	REB: 6 A: 2 BLK: 1 TO: 6 PF: 4			
S: 4 FT: 6-8 75.0% FG: 3-10 30.0%			T I M E - O U T SHELDON CLARK No. 2				S: 0 FT: 0-0 00.0% FG: 3-6 50.0%	
			4	1:42				
			4	:59.8	Closely Guarded Violation on Bowen, Ida	2	7	
REB: 5 A: 1 BLK: 0 TO: 1 PF: 3			4	:11.5	REB: 6 A: 2 BLK: 1 TO: 7 PF: 4			
S: 4 FT: 6-8 75.0% FG: 3-10 30.0%			No. 2 LAUREL COUNTY T I M E - O U T				S: 0 FT: 0-0 00.0% FG: 3-6 50.0%	
			4	:00.8				
1-7	14.2%	3-11 27.2%	4	:00.8				
17 ft Right Angle Jump shot by Reed, Stacy, missed			Rebound by Bailey, Angela					
							D-1 Tot-1 D-6 Tot-7	

Player	Team	LAUREL COUNTY	Time	Score	SHELDON CLARK	Player	Team
Minor, Dee, Isaacs, Julie, Steele, Joy, Reed, Stacy, Goforth, Steph. Ball to Lady Cardinals					Preece, Katina, Bowen, Ida, Bailey, Angela, Slone, Linda, Kirk, Jennie		
1-2	50.0%	1-2 50.0%			Out-of-Bounds by Slone, Linda	1	1
1		1					
		Layup Alley Cop by Steele, Joy	3	7:43			
		Assist by Reed, Stacy	3	7:42	*23-16		
			3	7:06	23-18* 4 ft Lane Bank by Bowen, Ida	1-1	100%
					Assist by Kirk, Jennie	1	1
			3	6:36	23-20* Fast Break Layup by Kirk, Jennie	1-1	100%
					Assist by Slone, Linda	1	2
		REB: 0 A: 1 BLK: 0 TO: 0 PF: 0	3	6:27			
		S: 0 FT: 0-0 00.0% FG: 1-3 33.3%	No. 1 LAUREL COUNTY TIME - O U T				
					REB: 2 A: 2 BLK: 0 TO: 1 PF: 0		
					S: 0 FT: 0-0 00.0% FG: 2-2 100%		
			3	6:25	Steal by Bailey, Angela	1	1
1	1	Bad Pass by Reed, Stacy	3	6:07			
1	1	Foul on Isaacs, Julie	3	5:43			
			3	5:43	Bailey, Angela, 2 Free Throws missed both	0-2	00.0%
			3	5:27	Foul on Bailey, Angela	1	1
1	2	Foul on Steele, Joy	3	5:19			
		Sub In: Tate, Melissa Out: Steele, Joy	3	5:19			
			3	5:19	Foul on Slone, Linda	1	2
			3	5:19	Other Slone, Linda	2	2
			3	5:07	Steal by Preece, Katina	1	2
1	2	Bad Pass by Isaacs, Julie	3	5:06			
			3	4:56	23-22* Jump shot Layup by Bowen, Ida	2-2	100%
					Assist by Preece, Katina	1	3
0-2	00.0%	0-2 00.0%	3	4:35	Foul on Bowen, Ida	1	3
		Tate, Melissa, 2 Free Throws missed both	3	4:35			
			3	4:10	23-24* 6 ft Left Side Turnaround by Bailey, Angela	1-1	100%
					Assist by Preece, Katina	2	4
1-1	100%	2-7 28.5%	3	3:51	*25-24		
		4 ft Lane Follow by Isaacs, Julie	3	3:31	25-27* 3 pt 21 ft Right Side Jump shot by Kirk, Jennie	2-2	100%
					Assist by Slone, Linda	2	5
1	3	Foul on Tate, Melissa	3	2:55			
		Sub In: Collett, Steph. Out: Tate, Melissa	3	2:55			
1	1	Steal by Reed, Stacy	3	2:55	Bowen, Ida, 2 Free Throws missed both	0-2	00.0%
			3	2:32			
1	3	Dribbling Error on Collett, Steph.	3	2:31	Dribbling Error on Slone, Linda	3	3
			3	2:27			
			3	2:11	25-29* 4 ft Lane Turnaround by Kirk, Jennie	3-3	100%
					Assist by Preece, Katina	3	6
			3	1:38	25-31* 8 ft Left Base Line Turnaround by Bailey, Angela	2-2	100%
					Assist by Preece, Katina	4	7
		REB: 4 A: 1 BLK: 0 TO: 3 PF: 3	3	1:31			
		S: 1 FT: 0-2 00.0% FG: 2-10 20.0%	No. 2 LAUREL COUNTY TIME - O U T				
					REB: 5 A: 7 BLK: 1 TO: 3 PF: 3		
					S: 2 FT: 0-4 00.0% FG: 7-8 87.5%		
2	4	Unforced Error Isaacs, Julie	3	1:30	Steal by Bailey, Angela	2	3
			3	1:09			
			3	1:00	Foul on Bailey, Angela	2	4
			3	1:00	Other Bailey, Angela	1	4
			3	:00.7	25-33* Layup Alley Cop by Bowen, Ida, made	3-3	100%
					Assist by Kirk, Jennie	2	8



LAUREL COUNTY					
Player					
25 - Minor, Dee	1 / 6	16.6%			
32 - Isaacs, Ju	2 / 3	66.6%			
34 - Steele, Jo	1 / 2	50.0%			
04 - Reed, Stac	2 / 12	16.6%			
22 - Goforth, S	0 / 1	0.0%			
Layups	1-9 Ft	10-15 Ft	Over 15 Ft	3 Pointers	Total
2 / 2	2 / 5	0 / 4	0 / 3	2 / 10	6 / 24
100.0%	40.0%	0.0%	0.0%	20.0%	25.0%

SHELDON CLARK					
Player					
13 - Preece, Ka	0 / 1	0.0%			
30 - Bowen, Ida	5 / 6	83.3%			
24 - Bailey, An	3 / 6	50.0%			
15 - Slone, Lin	0 / 1	0.0%			
20 - Kirk, Jenn	4 / 4	100.0%			
Layups	1-9 Ft	10-15 Ft	Over 15 Ft	3 Pointers	Total
5 / 5	6 / 11	0 / 2		1 / 1	12 / 19
100.0%	54.5%	0.0%		100.0%	63.2%

OFFICIAL NCAA BASKETBALL BOX SCORE: * OFFICIAL FIRST HALF *

Date: 03-20-91 Site: Frankfort, Ky.

VISITORS (Last Name, First)

NO.	Sheldon Clark	Tot FG		3-POINT		FT	FTA	Rebounds			PF	TP	A	TO	BLK	S	TIME	
		FG	FGA	FG	FGA			OFF	DEF	TOT								
13	Preece, Katina	0	1	0	0	0	0	0	0	0	2	0	2	2	1	0	4:53	
30	Bowen, Ida	2	4	0	0	4	6	2	7	9	1	8	0	0	2	0	16:00	
24	Bailey, Angela	3	3	0	0	0	0	0	2	2	0	6	0	1	1	0	16:00	
15	Slone, Linda	0	2	0	0	0	0	0	0	0	0	0	2	0	0	0	16:00	
20	Kirk, Jennie	0	3	0	2	0	0	1	1	2	1	0	2	6	0	0	16:00	
23	Horn, Cyndi	1	1	0	0	0	1	2	2	4	2	2	0	0	0	0	11:07	
TEAM REBOUNDS (INCLUDED IN TOTALS)																		
TOTALS		6	14	0	2	4	7	5	12	17	6	16	4	11	4	0	80	

TOTAL FG	1st HALF	4/9	44.4%	2nd HALF	2/5	40.0%	GAME	6/14	42.9%	DEADBALL	
3-POINT FG	1st HALF	0/2	0.0%	2nd HALF	0/0	0.0%	GAME	0/2	0.0%	REBOUNDS	1
FREE THROWS	1st HALF	0/1	0.0%	2nd HALF	4/6	66.7%	GAME	4/7	57.1%		

HOME (Last Name, First)

NO.	LAUREL COUNTY	Tot FG		3-POINT		FT	FTA	Rebounds			PF	TP	A	TO	BLK	S	TIME	
		FG	FGA	FG	FGA			OFF	DEF	TOT								
25	Minor, Dee	2	5	0	1	0	2	0	1	1	1	4	1	0	0	2	15:24	
32	Isaacs, Julie	2	4	0	0	0	0	1	0	1	0	4	1	0	0	1	16:00	
34	Steele, Joy	1	4	0	0	0	0	0	0	0	3	2	1	1	0	0	8:03	
04	Reed, Stacy	0	6	0	2	5	6	0	1	1	2	5	0	0	0	3	15:27	
22	Goforth, Steph.	1	1	0	0	0	0	0	2	2	1	2	1	0	0	1	8:00	
12	Collett, Steph.	2	3	0	0	0	0	0	0	0	1	4	0	0	0	1	8:33	
44	Tate, Melissa	0	2	0	0	0	0	1	0	1	0	0	1	0	0	1	8:33	
TEAM REBOUNDS (INCLUDED IN TOTALS)																		
TOTALS		8	25	0	3	5	8	6	5	11	8	21	5	1	0	9	80	

TOTAL FG	1st HALF	5/13	38.5%	2nd HALF	3/12	25.0%	GAME	8/25	32.0%	DEADBALL	
3-POINT FG	1st HALF	0/1	0.0%	2nd HALF	0/2	0.0%	GAME	0/3	0.0%	Rebounds	2
FREE THROWS	1st HALF	5/6	83.3%	2nd HALF	0/2	0.0%	GAME	5/8	62.5%		

OFFICIALS: Cathy Stovall, Jay Asher, M. Allen-Alt.
 Technicals: None

SCORE BY PERIODS

Sheldon Clark	8	8	=	16
LAUREL COUNTY	15	6	=	21

Attendance:

COMMENTS:	POINTS OFF TURNOVERS	SECOND CHANCE POINTS
Sheldon Clark	0 LAUREL COUNTY	4 LAUREL COUNTY
	10	2

Player	Team	LAUREL COUNTY
Minor, Dee, Isaacs, Julie, Steele, Joy, Reed, Stacy, Goforth, Steph.		
1-1	100%	1-1 100% 4 ft Lane Bank by Steele, Joy
1	1	Foul on Steele, Joy
1	1	Other Steele, Joy
1	1	Steal by Reed, Stacy
1-2	50.0%	2-6 33.3% 6 ft Lane Bank by Minor, Dee
1	1	Assist by Isaacs, Julie
1-2	50.0%	1-2 50.0% Reed, Stacy, 2 Free Throws missed 1st made 2nd
2-3	66.6%	3-7 42.8% 18 ft Circle Jump shot by Minor, Dee
1	2	Assist by Steele, Joy
2	2	Steal by Reed, Stacy
3-4	75.0%	3-4 75.0% Reed, Stacy, 2 Free Throws made both
1	3	Steal by Goforth, Steph.
1-2	50.0%	4-8 50.0% 15 ft Left Side Jump shot by Isaacs, Julie
1	3	Assist by Goforth, Steph.

Time Score

Sheldon Clark Player Team

1 7:47 0-2*

Preece, Katina, Bowen, Ida, Bailey, Angela, Slone, Linda, Kirk, Jennie

Ball to Lady Cardinals

Driving Layup by Bowen, Ida

1-1 100% 1-1 100%

Assist by Preece, Katina

1 1

1 7:30 *2-2

1 7:04 2-4*

6 ft Lane Jump shot by Bailey, Angela

1-1 100% 2-2 100%

1 6:52

1 6:52

1 5:50

1 5:47

Bad Pass by Preece, Katina

1 1

1 5:35 *4-4

1 5:11

Foul on Kirk, Jennie

1 1

1 5:11 *5-4

1 4:57 5-6*

Driving Layup by Bailey, Angela

2-2 100% 3-5 60.0%

Assist by Preece, Katina

2 2

1 4:34 *7-6

1 4:10

Bad Pass by Slone, Linda

1 2

1 4:09

Foul on Preece, Katina

1 2

1 4:06 *9-6

1 3:54

Bad Pass by Preece, Katina

2 3

1 3:53

1 3:40 *11-6

1 3:34

REB: 1 A: 2 BLK: 1 TO: 3 PF: 2

REB: 3 A: 3 BLK: 0 TO: 1 PF: 1

S: 3 FT: 3-4 75.0% FG: 4-8 50.0%

TIME - OUT

Sheldon Clark No. 1

S: 0 FT: 0-0 00.0% FG: 3-5 60.0%

1 3:25

Out-of-Bounds by Slone, Linda

2 4

1 3:07

Foul on Preece, Katina

2 3

1 3:07

Sub In: Horn, Cyndi Out: Preece, Katina

1 2:52

Alternate Possession Turnover by Kirk, Jennie

1 5

1 2:52

Foul on Bowen, Ida

1 4

1 2:40

1 2:40 *13-6

1 2:30

1 2:11

Bad Pass by Kirk, Jennie

2 6

1 2:11

1 1:44

1 :33.9 13-8*

Follow Layup by Horn, Cyndi

1-1 100% 4-8 50.0%

1 :33.9

1 :33.9

1 :33.9

Horn, Cyndi, 1 Free Throw missed

0-1 00.0% 0-1 00.0%

1 :33.9

1 :03.2 *15-8

1	4	Steal by Minor, Dee
5-6	83.3%	5-6 83.3% Reed, Stacy, 2 Free Throws made both
1	2	Foul on Reed, Stacy
1	5	Steal by Isaacs, Julie
1	3	Foul on Goforth, Steph.
2	4	Foul on Steele, Joy
		Sub In: Collett, Steph. Out: Reed, Stacy
		Sub In: Tate, Melissa Out: Steele, Joy
1-1	100%	5-13 38.4% 18 ft Circle Jump shot by Goforth, Steph.
1	4	Assist by Tate, Melissa

FINAL III - A Product of LEXICON SPORTS
(C) Copyright Davies & Associates, Inc.
All Rights Reserved

Sheldon Clark "Lady Cardinals" vs LAUREL COUNTY "Lady Cardinals"
1st Half Play by Play

Player	Team	LAUREL COUNTY
Reed, Stacy, Collett, Steph., Minor, Dee, Isaacs, Julie, Tate, Melissa		

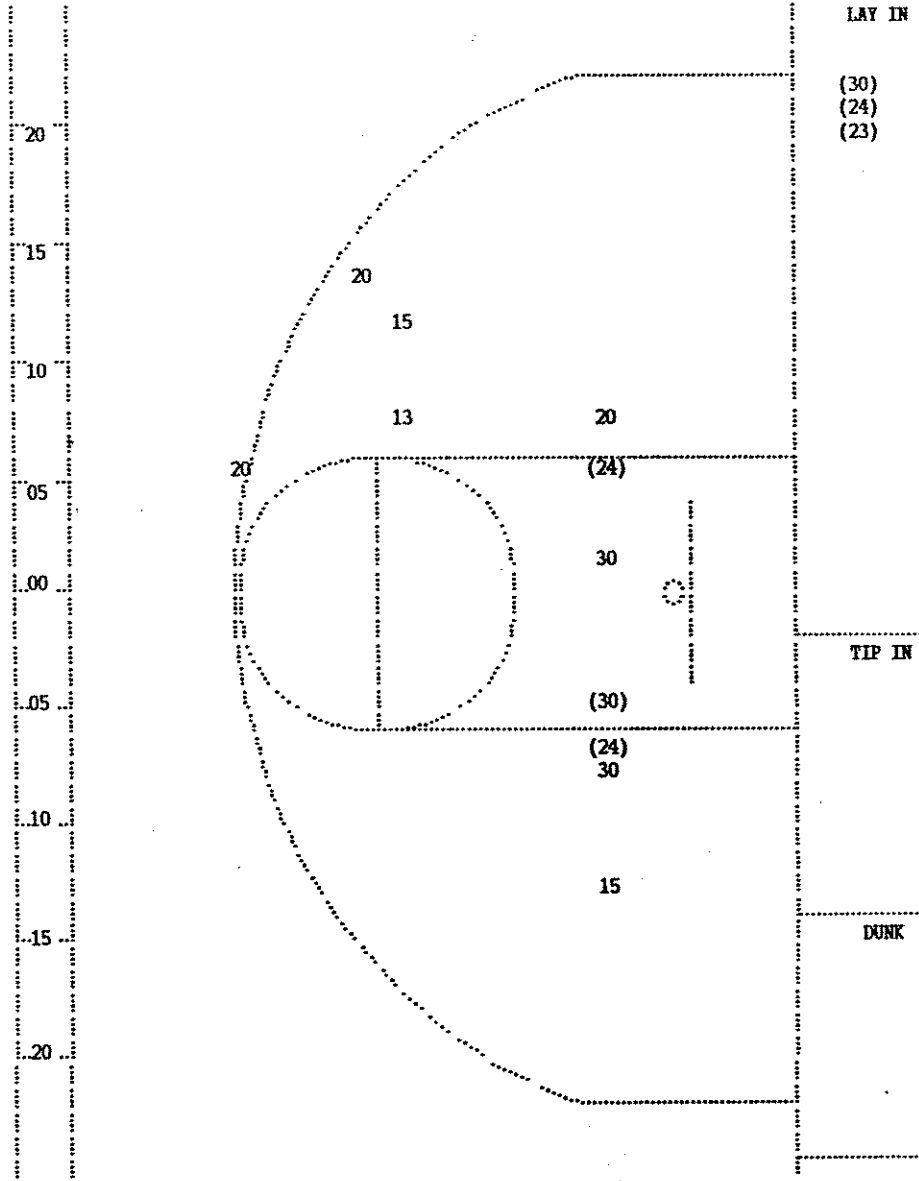
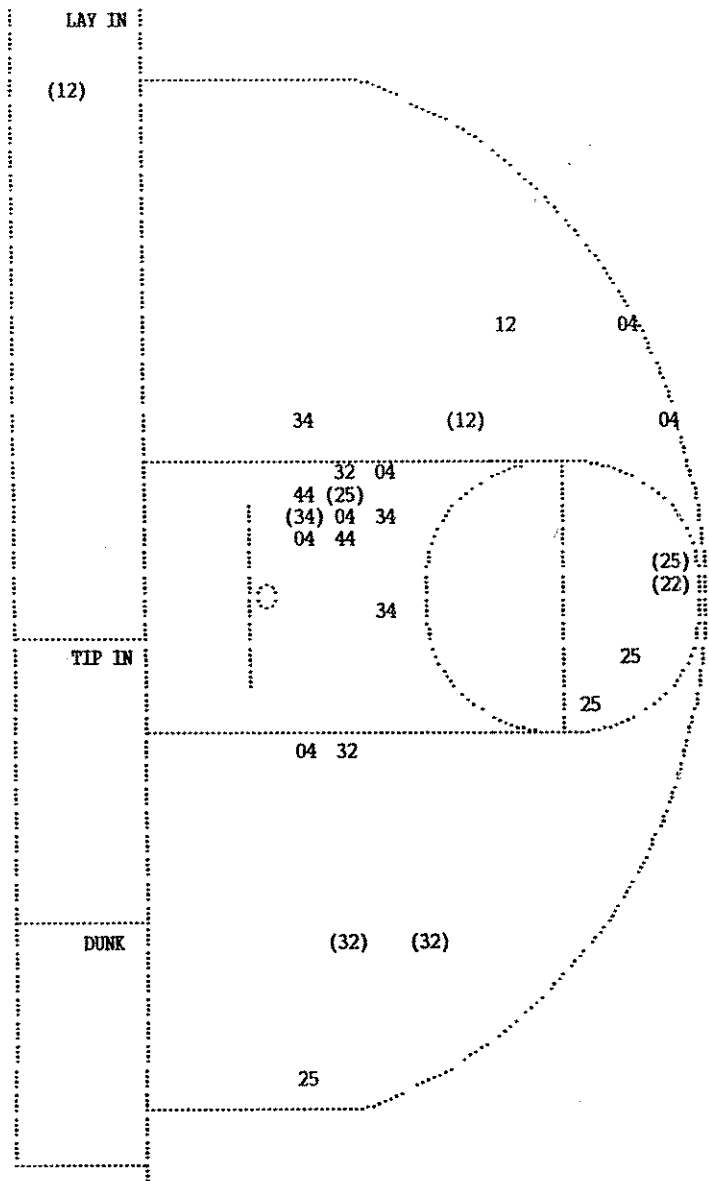
Time Score

Sheldon Clark Player Team

Slone, Linda, Kirk, Jennie, Horn, Cyndi, Bailey, Angela, Bowen, Ida

Ball to Lady Cardinals

Player	Team	LAUREL COUNTY	Time	Score	SHELDON CLARK	Player	Team			
Reed, Stacy, Collett, Steph., Minor, Dee, Isaacs, Julie, Tate, Melissa					Slone, Linda, Kirk, Jennie, Horn, Cyndi, Bailey, Angela, Bowen, Ida					
1	1	Steal by Reed, Stacy	2	7:46	Ball to Lady Cardinals					
1	2	Steal by Tate, Melissa	2	7:46	Out-of-Bounds by Kirk, Jennie					
1	1	Foul on Minor, Dee	2	7:02	Bad Pass by Kirk, Jennie					
1	3	Steal by Minor, Dee	2	7:01	Bowen, Ida, 2 Free Throws missed both					
1	2	Foul on Reed, Stacy	2	6:21	Bad Pass by Bailey, Angela					
1	4	Steal by Collett, Steph.	2	6:21	Bad Pass by Kirk, Jennie					
1-1	100%	1-5	20.0%	Driving Layup by Collett, Steph.	2	6:06	0-2	00.0%	0-2	00.0%
1-1	100%	2-6	33.3%	14 ft Left Side Jump shot by Isaacs, Julie	2	6:04	1-1	100%	1-3	33.3%
1	1	Assist by Minor, Dee	2	5:54	Assist by Kirk, Jennie					
1	3	Foul on Collett, Steph.	2	5:52	Bowen, Ida, 2 Free Throws made both					
1	4	Sub In: Steele, Joy Out: Minor, Dee	2	5:51	Assist by Kirk, Jennie					
1	4	Foul on Steele, Joy	2	5:47	Bowen, Ida, 2 Free Throws made both					
1	4	Sub In: Minor, Dee Out: Steele, Joy	2	5:47	Assist by Kirk, Jennie					
0-2	00.0%	0-2	00.0%	Minor, Dee, 2 Free Throws missed both	2	5:29	2-4	50.0%	2-4	50.0%
2-3	66.6%	3-11	27.2%	11 ft Right Angle Jump shot by Collett, Steph.	2	5:29	1-1	100%	2-4	50.0%
					2	5:07	4-6	66.6%	4-6	66.6%
					2	4:42	1-1	100%	2-4	50.0%
					2	4:42	2		2	
					2	4:42	4		5	
					2	4:06	1		1	
					2	4:06	2		2	
					2	4:06	4		5	
					2	3:16	1		1	
					2	2:45	2		2	
					2	2:26	4		5	
					2	2:26	1		1	
					2	2:11	2		2	
					2	1:57	2		2	



LAUREL COUNTY					
Player			Player		Player
25 - Minor, Dee	2/5	40.0%	12 - Collett, S	2/3	66.6%
32 - Isaacs, Ju	2/4	50.0%	44 - Tate, Meli	0/2	0.0%
34 - Steele, Jo	1/4	25.0%			
04 - Reed, Stac	0/6	0.0%			
22 - Goforth, S	1/1	100.0%			
Layups	1-9 Ft	10-15 Ft	Over 15 Ft	3 Pointers	Total
1/1	2/13	3/4	2/4	0/3	8/25
100.0%	15.4%	75.0%	50.0%	0.0%	32.0%

SHELDON CLARK					
Player			Player		Player
13 - Preece, Ka	0/1	0.0%	23 - Horn, Cynd	1/1	100.0%
30 - Bowen, Ida	2/4	50.0%			
24 - Bailey, An	3/3	100.0%			
15 - Slone, Lin	0/2	0.0%			
20 - Kirk, Jenn	0/3	0.0%			
Layups	1-9 Ft	10-15 Ft	Over 15 Ft	3 Pointers	Total
3/3	3/6	0/2	0/1	0/2	6/14
100.0%	50.0%	0.0%	0.0%	0.0%	42.9%